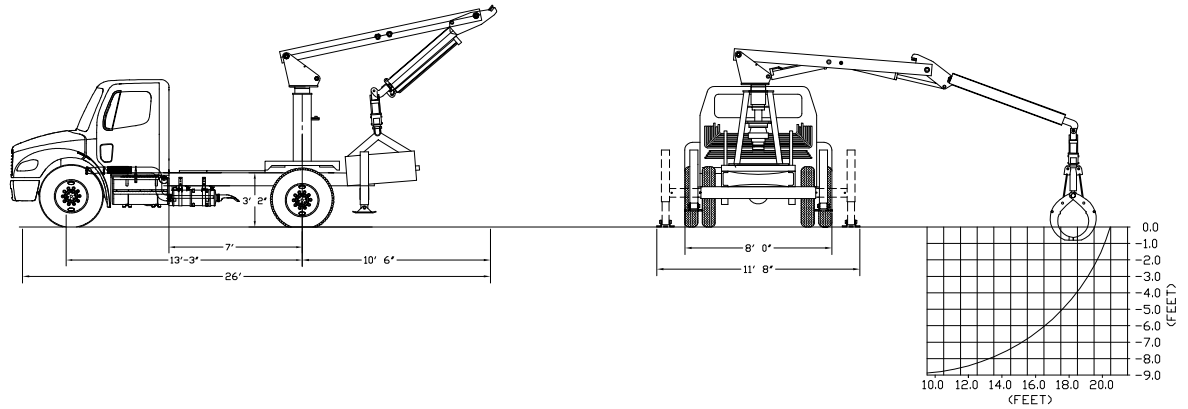


GENERAL SPECIFICATIONS

Reach	20 ft. 7in.
Main Boom & Tip Boom	16 ft. 7in.
Tip Extension	4 ft.
Outrigger Span	11 ft. 8 in.
Tare Weight (empty)	18,240 lbs.



SYSTEM DESCRIPTION

- Grapple loader mounted on a short frame chassis
- Designed for greater maneuverability
- Load into an attached dump trailer or into separate haul trucks

RECOMMENDED CHASSIS (MINIMUM)

Body Style	Conventional Cab	GVW Rating	33,000 lbs.
Cab-to-Axle Dimension	84 inches	Frame	900,000 RBM
Front Axle Rating	12,000 lbs.	Engine	210 HP Diesel
Rear Axle Rating	21,000 lbs.	Transmission	Automatic*

*Tandem pump hydraulic system requires the transmission to handle 450 lb-ft on the PTO gear.

CONTROL OPTIONS

- Dual manual controls (Dual walk-thru)
- QUADSTICK® mechanically linked dual joystick controls (Dual walk-thru)
- Side-mount seat controls – mechanical levers**
- Stationary Top-mount controls – manual or mechanical joysticks
- Side-mount with All-weather cab – manual or electronic joysticks, or pilot hydraulic joysticks
- **Tandem pump not available with this control option.

LIFT CAPACITY

Radius	Over Rear	Over Side
10 ft. radius	7,100 lbs.	5,500 lbs.
16 ft. radius	4,400 lbs.	3,100 lbs.
20 ft. radius	3,200 lbs.	1,800 lbs.

**CONTACT PETERSEN INDUSTRIES
FOR COMPLETE SPECIFICATIONS.**

SCAN TO
LEARN MORE



4000 SR 60 West
Lake Wales, FL 33859
1.800.930.LOAD (5623)



PETERSENIND.COM
Contact Us Today To Learn More