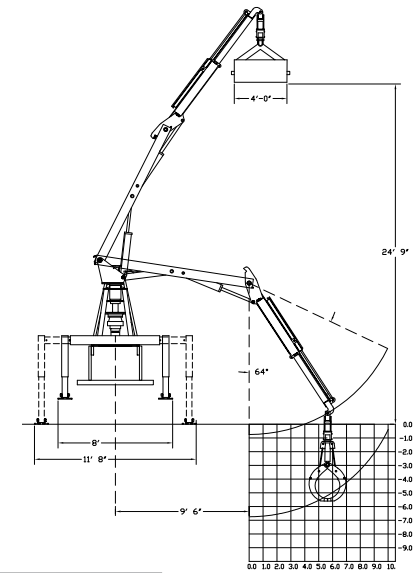
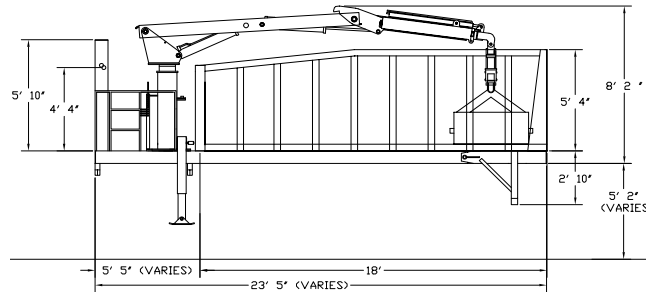


GENERAL SPECIFICATIONS

| | |
|----------------------|--------------|
| Reach | 20 ft. 9 in. |
| Main Boom & Tip Boom | 16 ft. |
| Tip Extension | 4 ft. |
| Unit Weight (empty) | 12,700 lbs. |
| Outrigger Span | 11 ft. 8 in. |



SYSTEM DESCRIPTION

- 20' 9" Loader & 18', 24 cubic yard dump body mounted onto a steel skid
- Heavy-duty bumper on the rear and outriggers on the front of the body allow for easy installation and removal
- Hydraulically locks to the hoist
- Grip strut, serrated steel walk platforms, steel handrails, and a frame lock control at the valve bank

RECOMMENDED CHASSIS (MINIMUM)

| | |
|------------------|----------------------|
| GVW | 54,000 (tandem) |
| Cab to Trunnion | Based on hook length |
| Effective Length | 16 ft. 10 in. |
| Hooklift rail | 17 ft. 7 in. |

*Always contact Peterson Industries for specific chassis requirements

CONTACT PETERSEN INDUSTRIES FOR COMPLETE SPECIFICATIONS.



CONTROL OPTIONS

- Dual manual controls on both sides of unit for accessibility and visibility
- QUADSTICK® mechanically linked dual joystick controls

HOOK LIFT HOIST

Please contact Petersen for hooklift recommendations and requirements.

LIFT CAPACITY

| Radius | Load Capacity |
|---------------|---------------|
| 10 ft. radius | 7,100 lbs. |
| 16 ft. radius | 4,400 lbs. |
| 20 ft. radius | 3,200 lbs. |

SCAN TO LEARN MORE



4000 SR 60 West
Lake Wales, FL 33859
1.800.930.LOAD (5623)



PETERSENIND.COM
Contact Us Today To Learn More