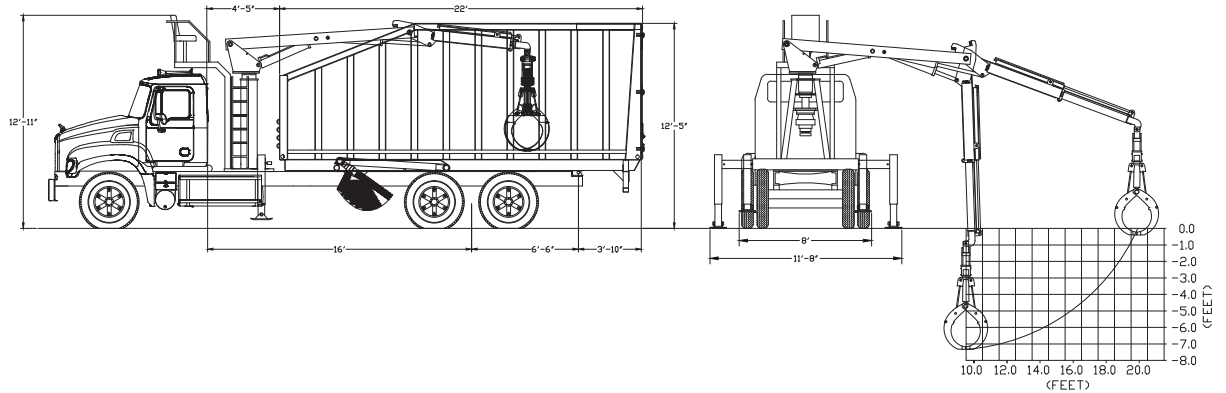


GENERAL SPECIFICATIONS

Reach	20 ft. 7 in.
Main Boom & Tip Boom	16 ft. 7 in.
Tip Extension	4 ft.
Tare Weight (empty)	36,660 lbs.
Outrigger Span	11 ft. 8 in.
Dump Body Hoist Capacity	35 tons
Overall Height	12 ft. 5 in.



SYSTEM DESCRIPTION

- Grapple loader mounted on a chassis with a 40 or 45 cubic yard trash dump body
- Engineered for high volume collection
- Body sizes available 40 or 45 cubic yards

CONTROL DESCRIPTION

- Stationary platform above the truck cab to provide the best visibility
- Tandem hydraulic pump 18/18 GPM
- Two mechanical six-function joysticks located on either side of the operator seat
- Outrigger controls located to the left of the operator seat
- Dump body controls are located inside the chassis cab

RECOMMENDED CHASSIS (MINIMUM)

Body Style	Conventional Cab	GVW Rating	60,000 lbs.
Cab-to-Axle Dimension	192 in.	Frame	2,500,000 RBM
Front Axle Rating	14,000 lbs.	Engine	340 HP Diesel
Rear Axle Rating	46,000 lbs.	Transmission	Automatic

LIFT CAPACITY

Radius	Lift Capacity
10 ft. radius	7,100 lbs.
16 ft. radius	4,400 lbs.
20 ft. radius	3,200 lbs.

CONTACT PETERSEN INDUSTRIES
FOR COMPLETE SPECIFICATIONS.

SCAN TO
LEARN MORE



4000 SR 60 West
Lake Wales, FL 33859
1.800.930.LOAD (5623)



PETERSENIND.COM
Contact Us Today To Learn More