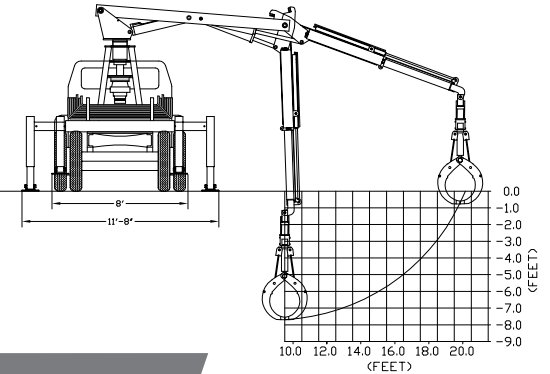
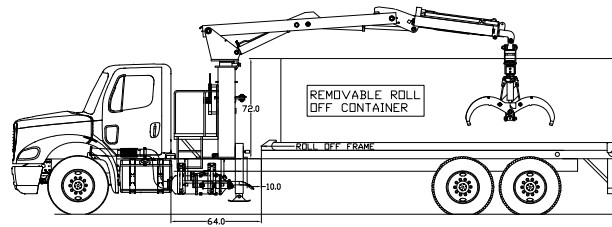


GENERAL SPECIFICATIONS

Reach	20 ft. 7 in.
Main Boom & Tip Boom	16 ft. 7 in.
Tip Extension	4 ft.
<hr/>	
Outrigger Span	11 ft. 8 in.



SYSTEM DESCRIPTION

- Loader is mounted to a chassis between the cab and the cable roll-off hoist
- Designed to swap containers and prevent loader from going to the landfill

CONTROL OPTIONS

- Dual manual controls for outriggers and loader on both sides of truck
- QUADSTICK® mechanically linked dual joystick controls
- Stationary top-mount control seat

ROLL-OFF HOIST

Please contact Petersen Industries for roll-off recommendations and requirements.

RECOMMENDED CHASSIS (MINIMUM)

Body Style	Conventional Cab
Clear Space: Cab to Roll-off Hoist	64 inches
GVW Rating	54,000 lbs. (tandem)
Frame	1,500,000 RBM

LIFT CAPACITY

Radius	Load Capacity
10 ft. radius	7,100 lbs.
16 ft. radius	4,400 lbs.
20 ft. radius	3,200 lbs.

HYDRAULIC REQUIREMENTS FOR LOADER

The BL-3 Lightning Loader® requires 18 GPM with a maximum system pressure of 2500 psi. This can be accomplished with an air controlled valve section from the hoist control valves fitted with a flow controller set to 18 GPM. The pump can also be upgraded to a tandem and the second pump section can be sized to flow 18 GPM at a preset engine rpm. Please consult a Petersen representative to determine which method best suits your truck.

CONTACT PETERSEN INDUSTRIES FOR COMPLETE SPECIFICATIONS.

SCAN TO LEARN MORE



4000 SR 60 West
Lake Wales, FL 33859
1.800.930.LOAD (5623)



PETERSENIND.COM
Contact Us Today To Learn More