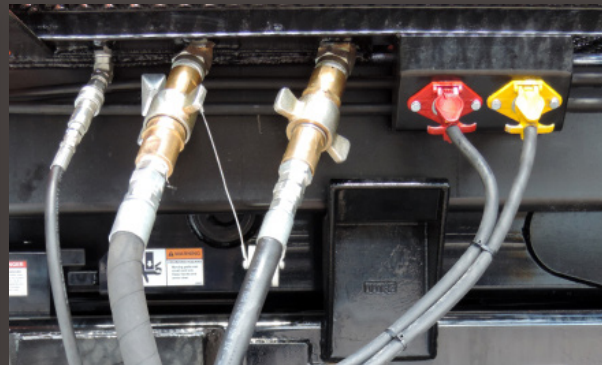


# HL-3 HOOKLIFT SKID



## CLASSIC MUSCLE. QUICK VERSATILITY.

Turn your hooklift container truck into a multipurpose loading machine.

*Here Are a Few Benefits:*

- ◉ **Make Your Fleet Versatile**  
*Turns a container truck into a multipurpose unit*
- ◉ **Loading Muscle When You Need It**  
*Loader & dump body are mounted to a hooklift skid*
- ◉ **Easy Installation and Removal**  
*Load the skid from inside the cab, then secure it with the hydraulic locking device*

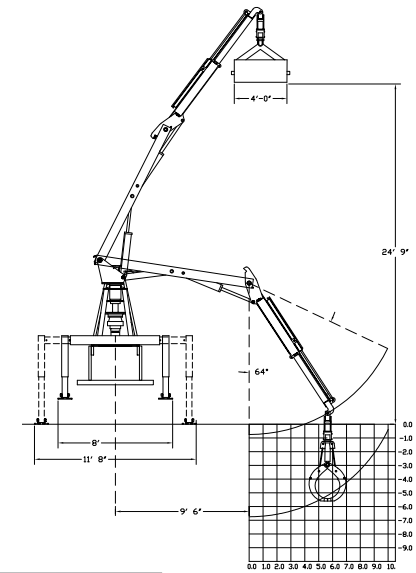
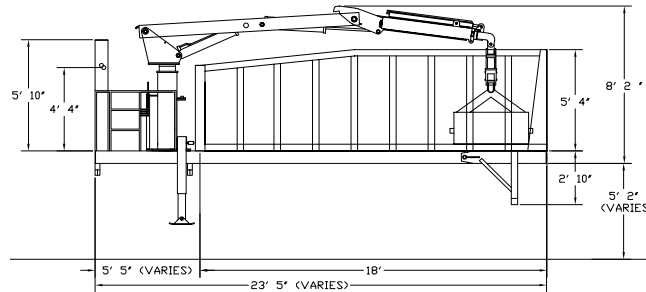


**American born. American made.**  
Efficient, dependable one-man operations for secure solid waste removal. Revolutionizing grapple trucks since 1957 and home to the original, industry-defining Lightning Loader®.

**WE BUILD LEGENDS®.**

## GENERAL SPECIFICATIONS

Reach	20 ft. 9 in.
Main Boom & Tip Boom	16 ft.
Tip Extension	4 ft.
Unit Weight (empty)	12,700 lbs.
Outrigger Span	11 ft. 8 in.



## SYSTEM DESCRIPTION

- 20' 9" Loader & 18', 24 cubic yard dump body mounted onto a steel skid
- Heavy-duty bumper on the rear and outriggers on the front of the body allow for easy installation and removal
- Hydraulically locks to the hoist
- Grip strut, serrated steel walk platforms, steel handrails, and a frame lock control at the valve bank

## RECOMMENDED CHASSIS (MINIMUM)

GVW	54,000 (tandem)
Cab to Trunnion	Based on hook length
Effective Length	16 ft. 10 in.
Hooklift rail	17 ft. 7 in.

\*Always contact Peterson Industries for specific chassis requirements

**CONTACT PETERSEN INDUSTRIES FOR COMPLETE SPECIFICATIONS.**



## CONTROL OPTIONS

- Dual manual controls on both sides of unit for accessibility and visibility
- QUADSTICK® mechanically linked dual joystick controls

## HOOK LIFT HOIST

Please contact Petersen for hooklift recommendations and requirements.

## LIFT CAPACITY

Radius	Load Capacity
10 ft. radius	7,100 lbs.
16 ft. radius	4,400 lbs.
20 ft. radius	3,200 lbs.

SCAN TO LEARN MORE



4000 SR 60 West  
Lake Wales, FL 33859  
**1.800.930.LOAD (5623)**



**PETERSENIND.COM**  
Contact Us Today To Learn More