

STANDARD &
HEAVY DUTY BODIES

TBS/TBH



SOLID BODIES FOR DEMANDING JOBS

Both our TBS and TBH bodies are built to withstand heavy use, so you can haul brush, concrete, or even cars without a second thought. Unrivaled durability means fewer maintenance headaches, less downtime, and more work done.

- 🔦 **Dump 40,000 pounds**
A hoist that can dump 4x the legal payload
- 🔦 **Bodies That Take a Beating**
Heavy gauge steel, and a unique design that uses the floor to reinforce the sides
- 🔦 **Minimize Human Error**
Positive locking mechanism keeps the barn doors shut tight



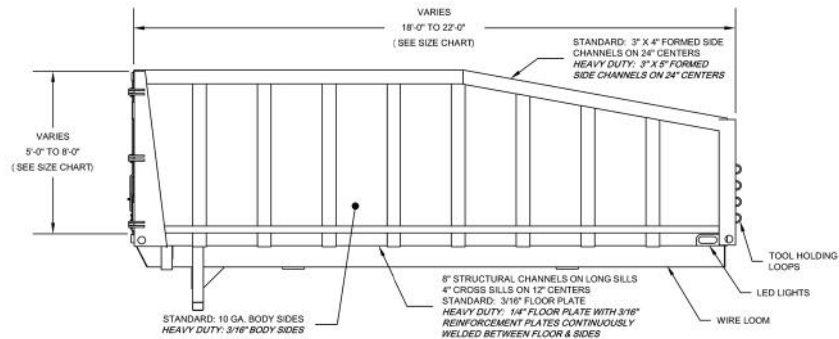
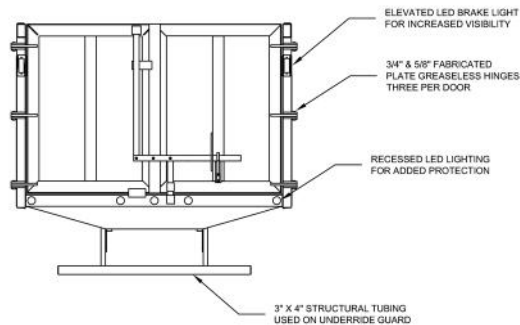
American born. American made.
Efficient, dependable one-man operations for secure solid waste removal. Revolutionizing grapple trucks since 1957 and home to the original, industry-defining Lightning Loader®.

WE BUILD LEGENDS.

PETERSENIND.COM | 800.930.LOAD (5623)



*Always consult your local Petersen dealer for complete specifications and requirements.



TBS/TBH - STANDARD & HEAVY DUTY BODIES (TBH features in bold)

Body Floor	3/16" single sheet steel plate 1/4" single sheet steel plate with reinforcement plates	Barn Doors	Positive locking mechanism on top and bottom, 3 hinges per door
Cross Sills	4" structural channel on 12" centers	Paint	High grade primer and enamel finish
Long Sills	8" structural channel	Body Lights	Meets Federal lighting standards, includes elevated brake lights and LED body lights for increased visibility
Headboard	10 gauge steel continuously welded to the floor, welded loops on front to hold tools 3/16" gauge steel	Body Hoist	23 ton capacity minimum with dual 6" hydraulic cylinders powered up and down
Body Sides	10 gauge steel continuously welded to floor 3/16" gauge steel	Wiring	Wire loom or conduit (optional)
Side Posts	3" x 4" x 10 gauge formed channels on 24" centers, 1/4" steel plate formed rear corner posts 3"x 5" x 10 gauge		

AVAILABLE SIZES:

Model	Length (ft)	Volume (cu. yd.)	Side Height (ft)	Length Required cab-to-axle	Min GVWR
1824 TBS/TBH	18	24	5	168" C/A	33,000
1828 TBS/TBH	18	28	6	168" C/A	33,000
2026 TBS/TBH	20	26	5	186" C/A	35,000
2030 TBS/TBH	20	30	6	186" C/A	37,000
2240 TBH	22	40	7	192" C/A	56,000
2245 TBH	22	45	8	192" C/A	56,000

POPULAR OPTIONS:

- PI Self-Winding Load Cover
- Rear Strobe – Mounted on Underride
- Rear Strobe – Mounted inside Body Skid Plate
- Amber LED Flashers Mounted in Rear Corner Posts
- Underbody Work Lights
- 1/4" Floor Plate
- Reinforcement Plates between Floor & Sides
- Continuous Welds for Side Posts
- Tool Box – Inside Body
- Tool Box – Mounted under Body
- Single Door
- Hardox Body Upgrade

SCAN TO LEARN MORE



4000 SR 60 West
Lake Wales, FL 33859

1.800.930.LOAD (5623)



PETERSENIND.COM
Contact Us Today To Learn More