

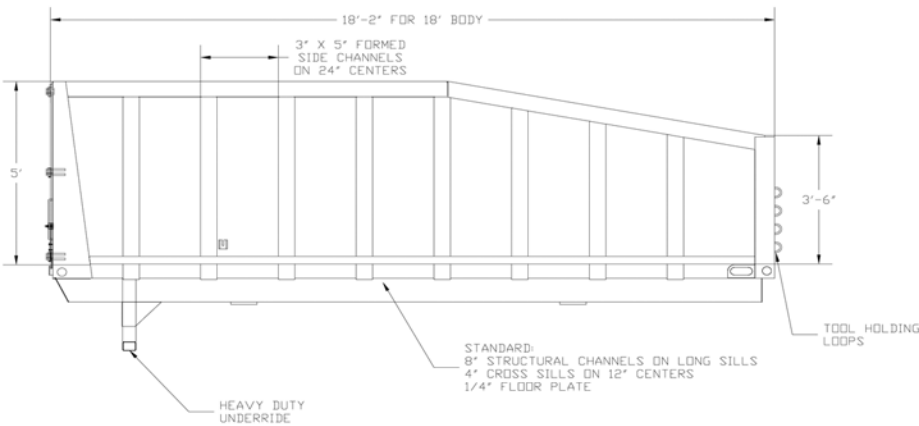
# Specifications & Technical Data\*

07/11

## Popular Options

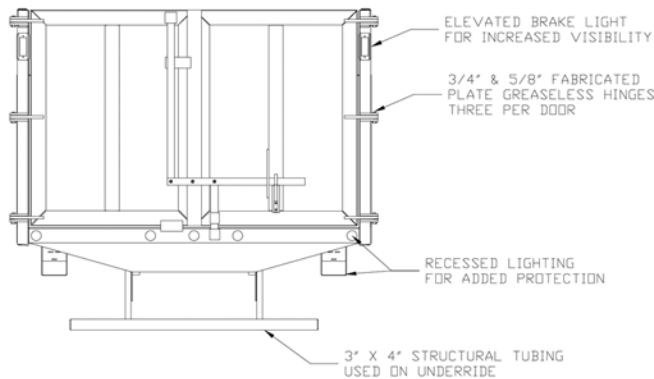
PI Self-Winding Load Cover
Rear Strobe – Mounted on Underride
Amber LED Flashers Mounted on Rear Corner Posts
1/4" Floor Plate
Reinforcement Plates between Floor & Sides
Continuous Welds for Side Posts
Tool Box – Inside Body
Tool Box – Mounted under Body
Dump Body Alarm
LED Lights
Single Door Option

**Note:** Consult sales representative for a complete listing of available options.



## Available Sizes

Model	Length (ft)	Volume (cu yd)	Side Height (ft)	Length	Min GVWR
1824 TBH	18	24	5	168 C/A	33,000
1828 TBH	18	28	6	168 C/A	33,000
2026 TBH	20	26	5	186 C/A	35,000
2030 TBH	20	30	6	186 C/A	37,000
2234 TBH	22	34	6	192 C/A	52,000
2240 TBH	22	40	7	192 C/A	56,000
2245 TBH	22	45	8	192 C/A	56,000



<b>Body Floor</b>	1/4" single sheet steel plate, includes 3/16" reinforcement plates continuously welded between floor and sides
<b>Cross Sills</b>	4" structural channel on 12" centers
<b>Long Sills</b>	8" structural channel
<b>Headboard</b>	3/16" steel continuously welded to floor, welded loops on front to hold tools
<b>Body Sides</b>	3/16" steel continuously welded to floor
<b>Side Posts</b>	3" x 5" x 10 gauge formed channel on 24" centers, 1/4" steel plate formed rear corner posts
<b>Barn Doors</b>	Positive locking mechanism on top and bottom, 3 hinges per door with two 5/8" thick straps
<b>Body Hoist</b>	23 ton Venco 6620 dual cylinder hydraulic hoist -- 22 ft long body receives a 35 ton Scott LL 3000 telescopic hoist.
<b>Body Lights</b>	Meets federal lightning standards, includes elevated brake lights for increased visibility
<b>Paint</b>	High grade primer and enamel finish

\*Petersen Industries, Inc. reserves the right to change product design and specifications at any time without notice. There may be more specifications than listed herein. Consult your Petersen dealer for complete specifications.