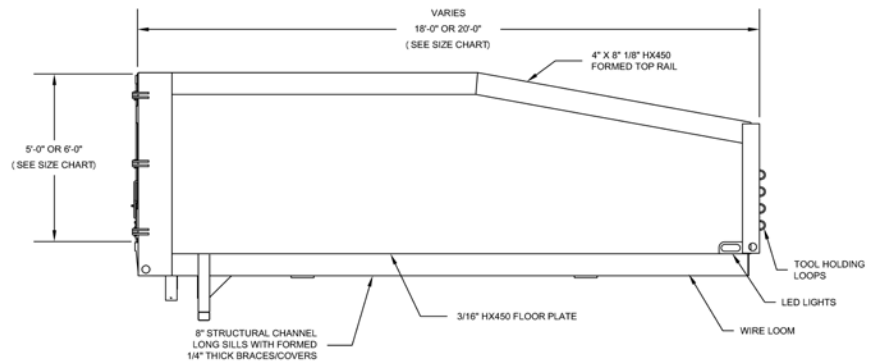
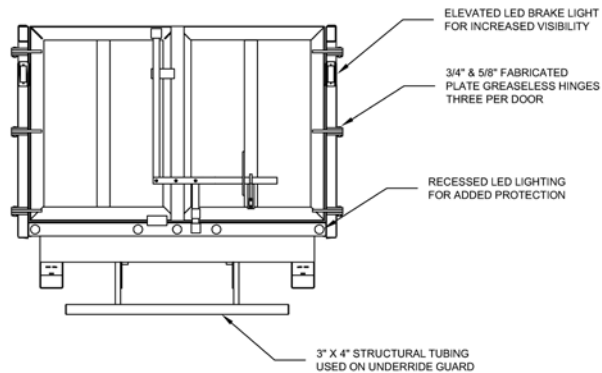


*Always consult your local Petersen dealer for complete specifications and requirements.



HDX - HARDOX®

Body Floor	Single 3/16" Hardox HX450 steel plate	Barn Doors	1/8" Hardox HX450 skins, positive locking mechanism on top and bottom, 3 hinges per door
Cross Sills Side Posts	None	Body Hoist	23 ton capacity minimum with dual 6" hydraulic cylinders powered up and down
Long Sills	8" structural channel with 1/4" plate angled from bottom of 8" channel to bottom of floor plate	Body Lights	Meets federal lighting standards, includes elevated brake lights and LED body lights for increased visibility
Headboard	1/8" Hardox® HX450 steel continuously welded to the floor, welded loops on front to hold tools	Paint	High grade primer and enamel finish
Body Sides	1/8" Hardox HX450 steel continuously welded to floor	Wiring	Wire loom or conduit (optional)

AVAILABLE SIZES:

Model	Length (ft)	Volume (cu. yd.)	Side Height (ft)	Length Required cab-to-axle	Min GVWR
1824 HDX	18	24	5	168" C/A	33,000
1828 HDX	18	28	6	168" C/A	33,000
2026 HDX	20	26	5	186" C/A	35,000
2030 HDX	20	30	6	186" C/A	37,000

POPULAR OPTIONS:

- PI Self-Winding Load Cover
- Rear Strobe – Mounted on Underride
- Amber LED Flashers Mounted in Rear Corner Posts
- Underbody Work Lights
- Tool Box – Mounted under Body
- Single Door with Air Latches

SCAN TO LEARN MORE



4000 SR 60 West
Lake Wales, FL 33859

1.800.930.LOAD (5623)



PETERSENIND.COM
Contact Us Today To Learn More