

TOLERANCES

1 DEC.	± 0.100
2 DEC.	± 0.050
3 DEC.	± 0.010
ANGLE:	± 1,000°
FRACTION:	± 1/32"
DIM. UNITS:	INCHES
SURFACE FINISH:	$\sqrt{125/32}$

UNLESS OTHERWISE SPECIFIED

DEC. = DECIMAL PLACES



PETERSEN INDUSTRIES INC.
 4000 S.R. 60 WEST
 LAKE WALES, FL. 33859-8234
 TEL: (863) 676-1493 FAX: (863) 676-6844

TITLE: DL-3 DUAL CONTROLS WALK THRU DIMENSIONS

PART NUMBER: 01 08 04 008 I

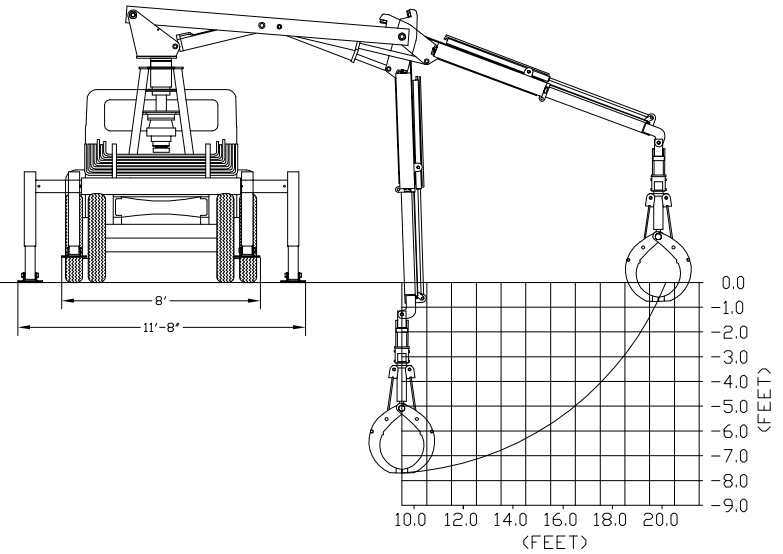
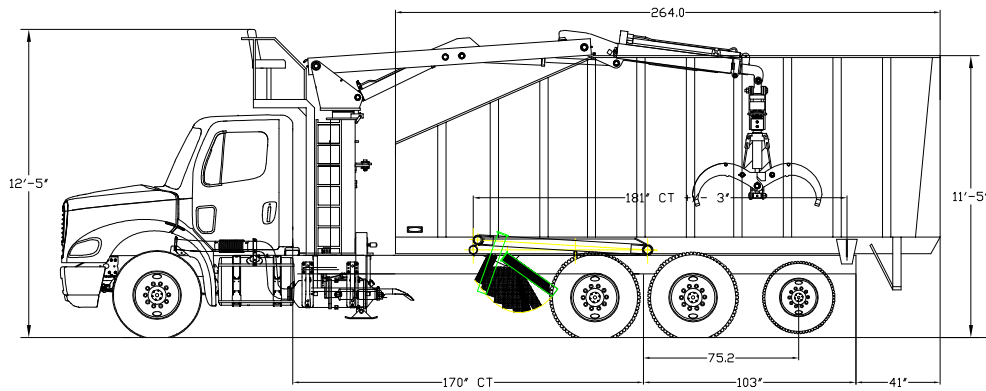
SCALE: 1.50

DRAWN BY: JAC

APPROVED BY:

DATE: 8/25/2016

SHEET: 1 OF 1



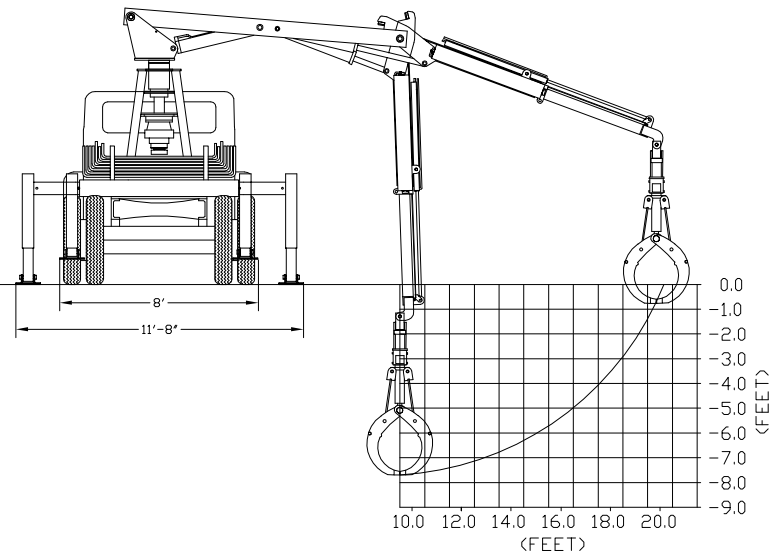
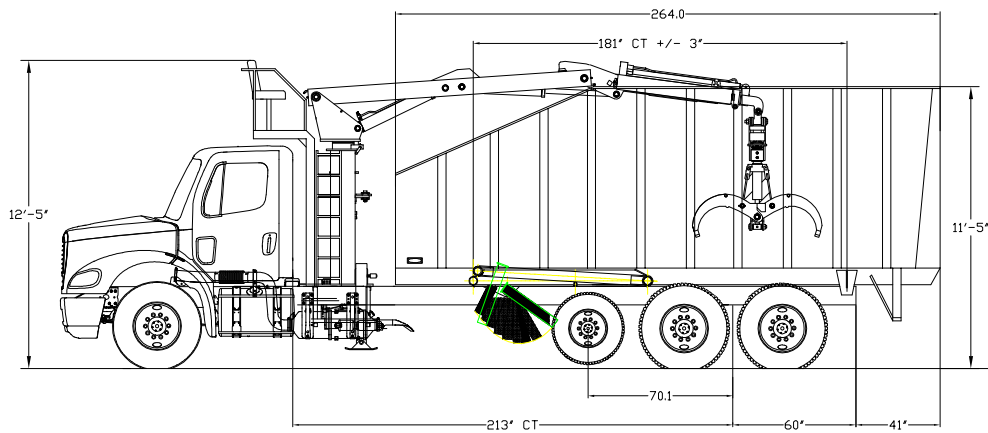
TOLERANCES

1 DEC.	± 0.100
2 DEC.	± 0.050
3 DEC.	± 0.010
ANGLE:	± 1.000°
FRACTION:	± 1/32"
DIM. UNITS:	INCHES
SURFACE FINISH:	125/32
UNLESS OTHERWISE SPECIFIED	



PETERSEN INDUSTRIES INC.
 4000 S.R. 60 WEST
 LAKE WALES, FL. 33859-8234
 TEL: (863) 676-1493 FAX: (863) 676-6844

DEC. = DECIMAL PLACE(S)	TITLE: DL-3 DUAL CONTROLS WALK THRU DIMENSIONS		SCALE: 1:50
	PART NUMBER: 01 08 04 008 I		
	DRAWN BY: JAC	APPROVED BY:	DATE: 8/25/2016
			SHEET: 1 OF 1



TOLERANCES

1 DEC.	± 0.100
2 DEC.	± 0.050
3 DEC.	± 0.010
ANGLE:	± 1.000°
FRACTION:	± 1/32"
DIM. UNITS:	INCHES
SURFACE FINISH:	125/32
UNLESS OTHERWISE SPECIFIED	



PETERSEN INDUSTRIES INC.
 4000 S.R. 60 WEST
 LAKE WALES, FL. 33859-8234
 TEL: (863) 676-1493 FAX: (863) 676-6844

DEC. = DECIMAL PLACE(S)	TITLE: DL-3 DUAL CONTROLS WALK THRU DIMENSIONS		SCALE: 1:50
	PART NUMBER: 01 08 04 008 I		
	DRAWN BY: JAC	APPROVED BY:	DATE: 8/25/2016
			SHEET: 1 OF 1