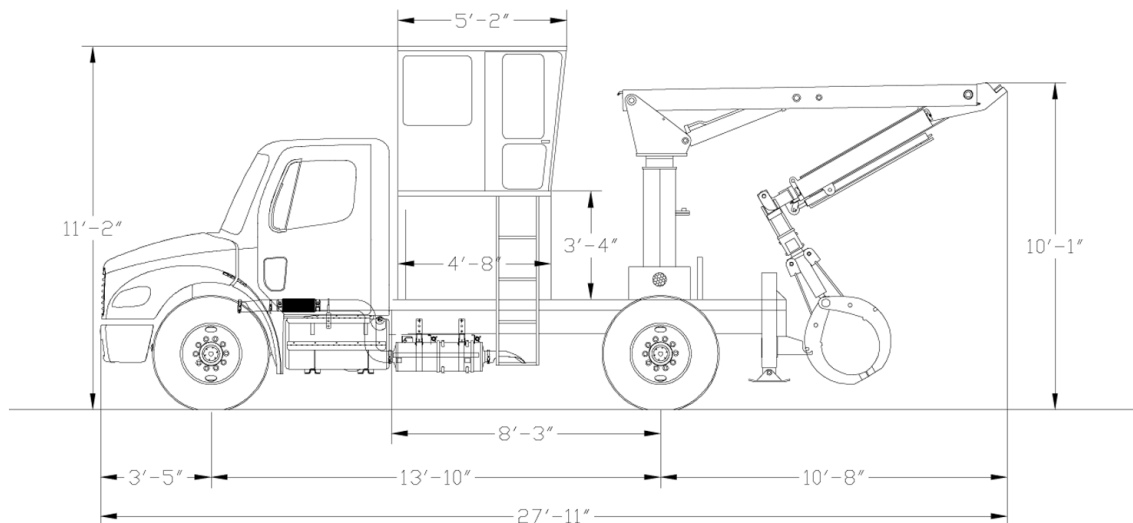


Specifications & Technical Data*



System Description

The RS-3 Lightning Rear Steer® is an innovative system intended for high volume collection. The model RS-3 consists of a loader mounted to a chassis with a short wheel base, in which the operator sits in a separate upper cab to drive and operate the loader in reverse. The operator does not need to use outriggers for most loading operations, making the RS-3 an effective system for high volume routes.

Control Option

RS-3 comes equipped with twin six-function mechanical joystick controls.

Lift Capacities

Outriggers Engaged ⁽¹⁾

| Radius | Side | | Rear | |
|--------|------------------|-------------------|------------------|-------------------|
| | Tip Extension In | Tip Extension Out | Tip Extension In | Tip Extension Out |
| 10 ft | 7,000 lbs | 7,020 lbs | 6,820 lbs | 7,220 lbs |
| 13 ft | 5,280 lbs | 5,600 lbs | 5,200 lbs | 5,660 lbs |
| 16 ft | 3,760 lbs | 4,530 lbs | 3,550 lbs | 4,690 lbs |
| 20 ft | - | 3,200 lbs | - | 3,380 lbs |

Outriggers Disengaged (suspension lock - tires only) ⁽²⁾

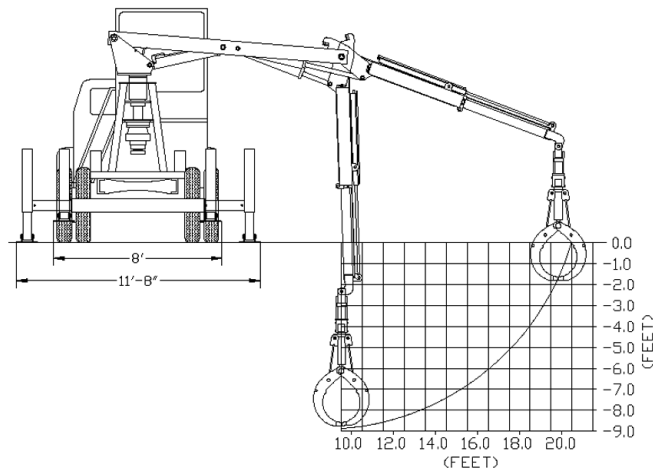
| Radius | Side | | Rear | |
|--------|------------------|-------------------|------------------|-------------------|
| | Tip Extension In | Tip Extension Out | Tip Extension In | Tip Extension Out |
| 10 ft | 4,885 lbs | 5,035 lbs | 6,880 lbs | 7,050 lbs |
| 13 ft | 3,070 lbs | 3,235 lbs | 5,400 lbs | 5,570 lbs |
| 16 ft | 2,275 lbs | 2,325 lbs | 3,720 lbs | 4,690 lbs |
| 20 ft | - | 1,600 lbs | - | 3,380 lbs |

Note:

Weight of attachment is not subtracted from above listed lifting capacities. Trash bucket weighs 1,000 lbs.

⁽¹⁾ Safe working load with outriggers extended on firm, level ground do not exceed 85% of vehicle tipping moment

⁽²⁾ Safe working load on tires and firm level ground do not exceed 75% of vehicle tipping moment.



General Specifications

| | |
|----------------------------------|------------|
| Reach (from centerline rotation) | 20 ft |
| Main Boom & Tip Boom | 16 ft |
| Tip Extension | 4 ft |
| Front Axle Weight | 7,020 lbs |
| Rear Axle Weight | 18,940 lbs |
| Outrigger Span | 11 ft 8 in |

Chassis Specification

| | |
|-----------------------|---------------------------|
| Body Style | Conventional Cab |
| Cab-to-Axle Dimension | 90 in |
| Front Axle Rating | 10,000 lbs |
| Rear Axle Rating | 21,000 lbs |
| GVW Rating | 31,000 lbs |
| Frame | 1,500,000 RBM |
| Engine | 210 HP Diesel |
| Transmission | Allison 3000RDS Automatic |

*Petersen Industries, Inc. reserves the right to change product design and specifications at any time without notice. There may be more specifications than listed herein. Consult your Petersen dealer for complete specifications.