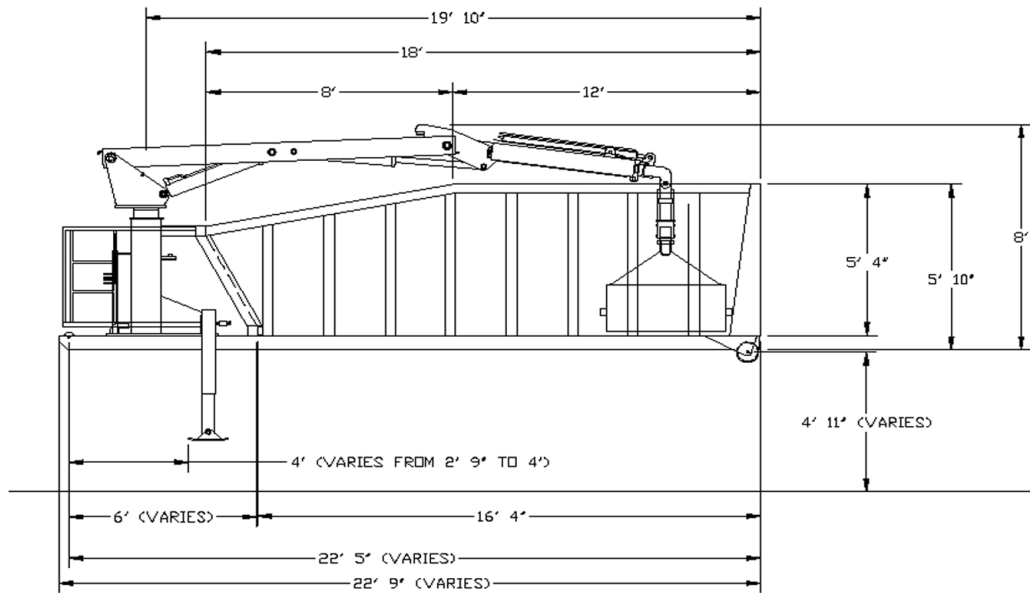


Specifications & Technical Data*



System Description

The model PL-3 Lightning Loader® and corresponding 18 foot, 24 cubic yard body are mounted on a steel skid. Intended for cable-style roll-offs, heavy-duty steel rollers on the rear of the body allow for easy installation and removal. The loader on this unit is hydraulically locked to the chassis.

Control Options

Dual manual controls for outriggers and loader on both sides of the truck for accessibility and visibility come standard on this model. QUADSTICK® mechanically linked dual joystick controls are also an available option on the PL-3. This model comes equipped with a grip strut serrated steel walk platform, steel handrails and a frame lock control lever at the valve bank.

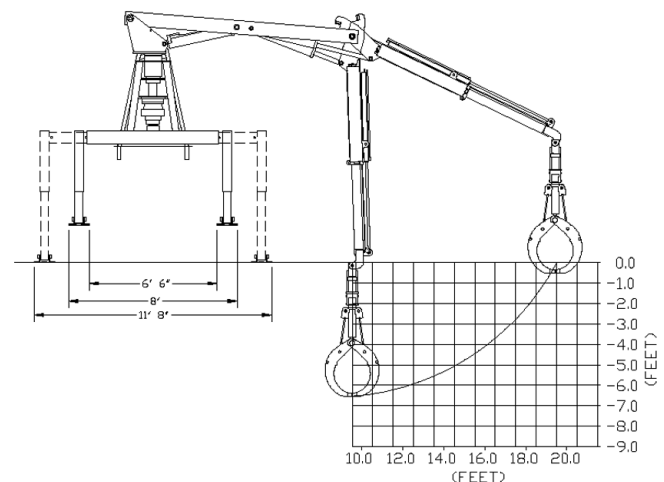
Lift Capacity

Radius	Lift Capacity
10 ft radius	7,100 lbs
16 ft radius	4,400 lbs
20 ft radius	3,200 lbs

Note: Weight of attachment not subtracted from above listed lifting capacities. Trash bucket weighs 1,000 lbs. Capacities shown do not exceed 85% vehicle tipping moment (outriggers engaged, loader on firm, level ground).

General Specifications

Reach	20 ft
Main Boom & Tip Boom	16 ft
Tip Extension	4 ft
Unit Weight (empty)	11,500 lbs
Outrigger Span	11 ft 8 in



Chassis & Hoist Requirements

	20 ft 26 cy	
GVW	60,000 (tandem)	60,000 (tandem)
Cab to Trunnion	174	194
Hoist Capacity	50,000 lbs	50,000 lbs
Rail Length	22 ft 6 in	24 ft 6 in

*Petersen Industries, Inc. reserves the right to change product design and specifications at any time without notice. There may be more specifications than listed herein. Consult your Petersen dealer for complete specifications.