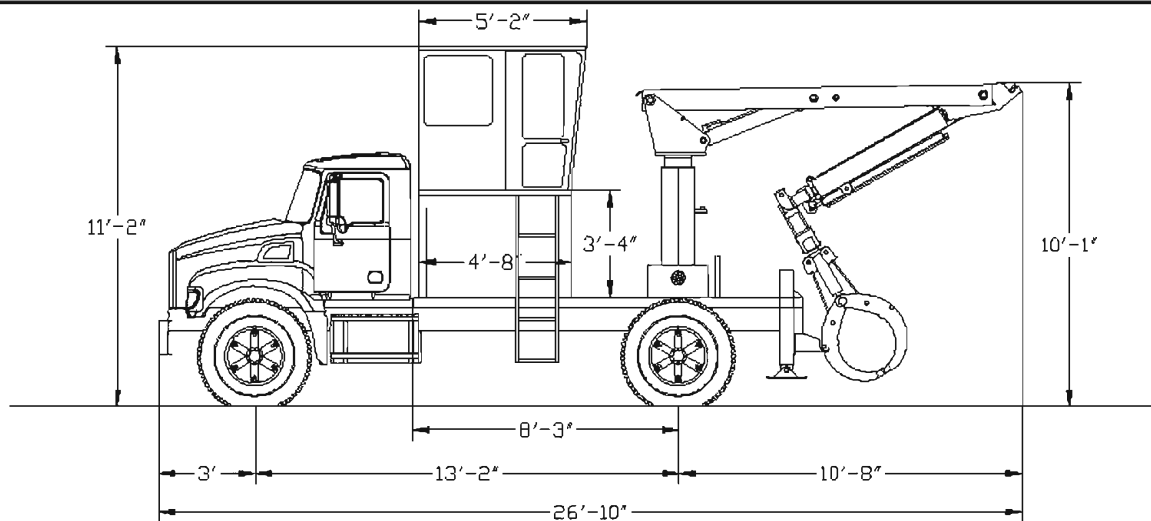


Specifications & Technical Data*

07/11



System Description

The RS-3 Lightning Rear Steer® is an innovative system intended for high volume collection. The Model RS-3 consists of a loader mounted to a chassis with a short wheel base, in which the operator sits in a separate upper cab to drive and operate the loader in reverse. The operator does not need to use outriggers for most loading operations, making the RS-3 an effective system for high volume routes.

Control Options

RS-3 comes equipped with twin six-function mechanical joystick controls.

Lift Capacities

Outriggers Engaged⁽¹⁾

| Radius | Side | | Rear | |
|--------|------------------|-------------------|------------------|-------------------|
| | Tip Extension In | Tip Extension Out | Tip Extension In | Tip Extension Out |
| 10 ft | 6,511 lbs | 6,834 lbs | 7,630 lbs | 8,420 lbs |
| 13 ft | 4,820 lbs | 5,485 lbs | 5,611 lbs | 6,477 lbs |
| 20 ft | -- | 2,737 lbs | -- | 3,260 lbs |

Outriggers Disengaged (suspension lock - tires only)⁽²⁾

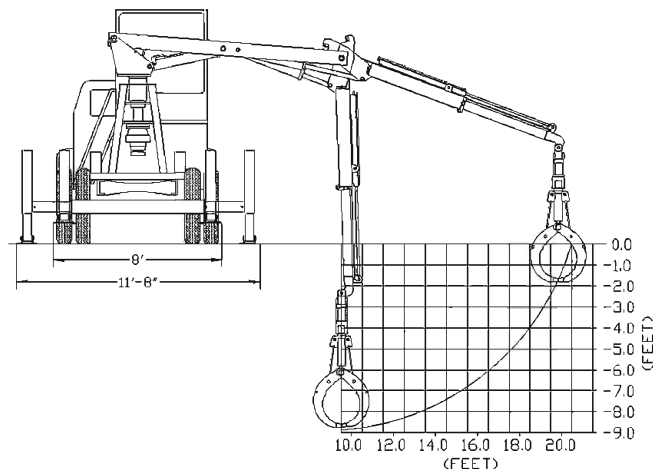
| Radius | Side | | Rear | |
|--------|------------------|-------------------|------------------|-------------------|
| | Tip Extension In | Tip Extension Out | Tip Extension In | Tip Extension Out |
| 10 ft | 4,220 lbs | 4,263 lbs | 5,505 lbs | 5,850 lbs |
| 13 ft | 2,800 lbs | 3,000 lbs | 4,142 lbs | 4,838 lbs |
| 20 ft | -- | 1,473 lbs | -- | 2,530 lbs |

Note:

Weight of attachment is not subtracted from above listed lifting capacities. Trash bucket weighs 1,000 lbs.

(1) Safe working load with outriggers extended on firm, level ground do not exceed 85% of vehicle tipping moment

(2) Safe working load on tires and firm level ground do not exceed 75% of vehicle tipping moment.



General Specifications

| | |
|----------------------------------|------------|
| Reach (from centerline rotation) | 20 ft |
| Main Boom & Tip Boom | 16 ft |
| Tip Extension | 4 ft |
| Front Axle Weight | 7,020 lbs |
| Rear Axle Weight | 18,940 lbs |
| Outrigger Span | 11 ft 8 in |

Chassis Specification

| | |
|-----------------------|------------------|
| Body Style | Conventional Cab |
| Cab-to-Axle Dimension | 90 in |
| Front Axle Rating | 10,000 lbs |
| Rear Axle Rating | 21,000 lbs |
| GVW Rating | 31,000 lbs |
| Frame | 1,500,000 RBM |
| Engine | 210 HP Diesel |
| Transmission | World 3060P |

*Petersen Industries, Inc. reserves the right to change product design and specifications at any time without notice. There may be more specifications than listed herein. Consult your Petersen dealer for complete specifications.