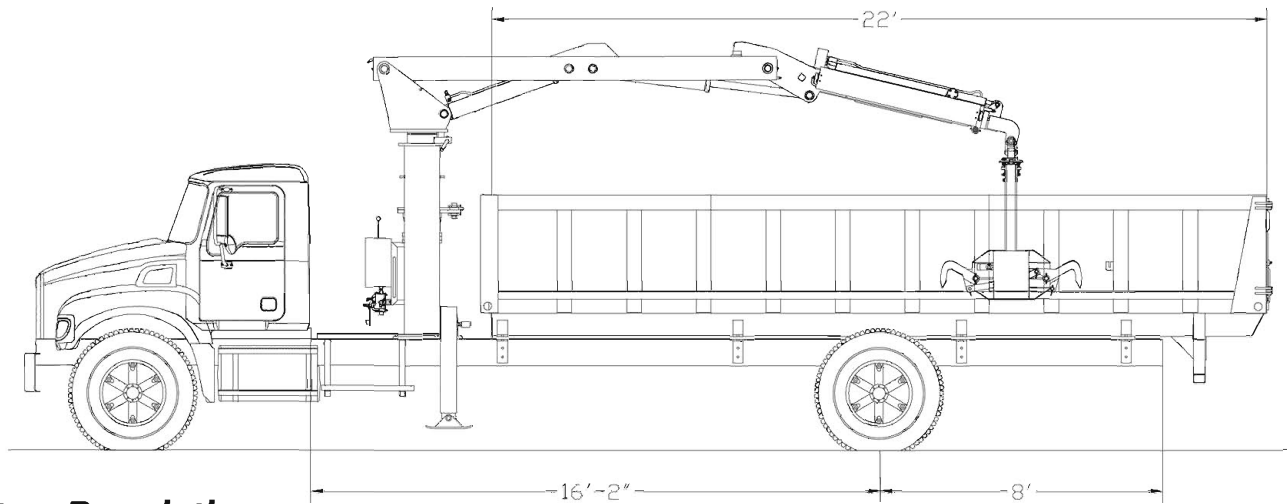


Specifications & Technical Data*

07/11



System Description

The Model CP-3 Lightning Loader® is a unique loading system installed on a long wheel base chassis with low sides for easy loading, 22 ft long body and a specially-designed crab attachment. This system is engineered to collect and transport containers compliant with ANSI Z245.60 standards. This system also complies with Part 393.100 of the Federal Motor Carrier Safety Administration (FMCSA) requirements.

Control Options

QUADSTICK® mechanically linked dual joystick controls come standard on the CP-3. Dual manual controls for outriggers and loader on both sides of the truck are available as an option.

Lift Capacity

Radius	Lift Capacity
10 ft radius	7,100 lbs
16 ft radius	4,400 lbs
20 ft radius	3,200 lbs

Note: Weight of attachment not subtracted from above listed lifting capacities. Capacities shown do not exceed 85% vehicle tipping moment (outriggers engaged, loader on firm, level ground).

General Specifications

Reach (from centerline rotation)	20 ft
Main Boom & Tip Boom	16 ft
Tip Extension	4 ft
Outrigger Span	11 ft 8 in

Recommended Chassis (minimum)

Body Style	Conventional Cab
Cab-to-Axle Dimension	192 in
Front Axle Rating	12,000 lbs
Rear Axle Rating	21,000 lbs
GVW Rating	33,000 lbs
Frame	1,500,000 RBM
Engine	210 HP Diesel
Transmission	Automatic

*Petersen Industries, Inc. reserves the right to change product design and specifications at any time without notice. There may be more specifications than listed herein. Consult your Petersen dealer for complete specifications.

1-800-930-LOAD (5623)
www.petersenind.com



4000 SR 60 West
Lake Wales, FL 33859