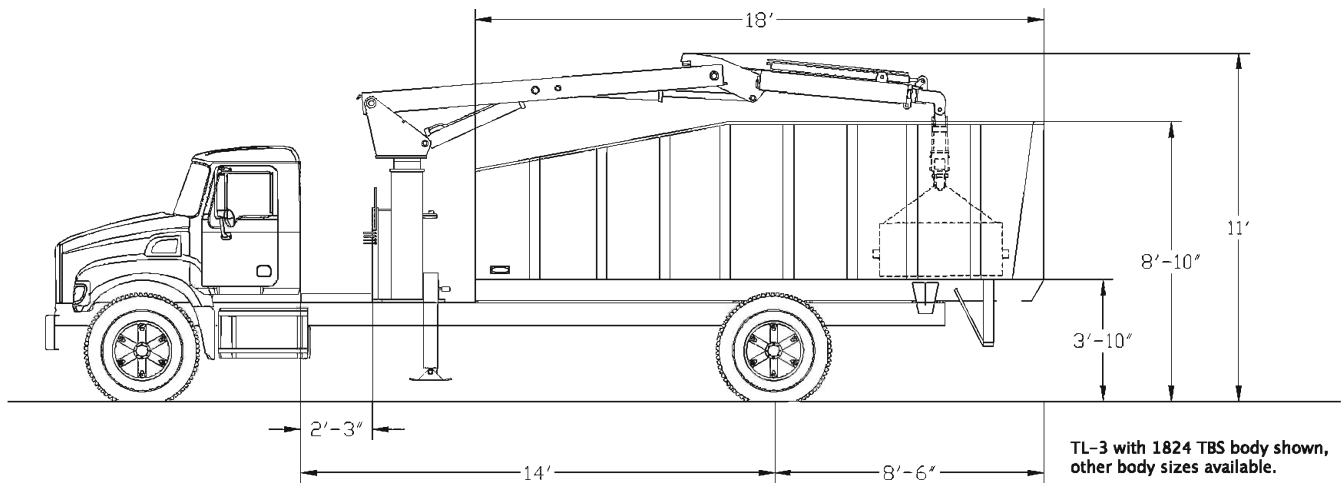


# Specifications & Technical Data\*

07/11



## System Description

The Model TL-3 Lightning Loader® is a grapple loader mounted to a chassis from behind the cab, equipped with Petersen's standard trash bucket at the end of the boom. The loader operates from a fixed platform located behind the chassis cab.

## Control Options

Dual manual controls for outriggers and loader on both sides of the truck for accessibility and visibility come standard on this model. QUADSTICK® mechanically linked dual joystick controls are also an available option on the TL-3. Stationary top-mount control seat is also an option on this model.

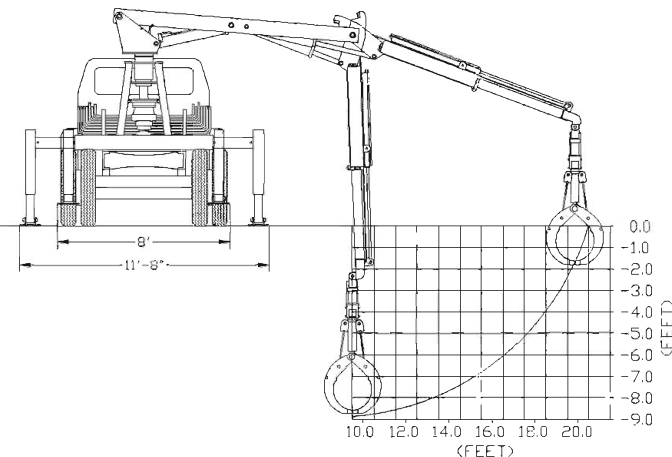
## Lift Capacity

Radius	Load Capacity
10 ft radius	7,100 lbs
16 ft radius	4,400 lbs
20 ft radius	3,200 lbs

**Note:** Weight of attachment not subtracted from above listed lifting capacities. Trash bucket weighs 1,000 lbs. Capacities shown do not exceed 85% vehicle tipping moment (outriggers engaged, loader on firm, level ground).

## General Specifications

Reach	20 ft
Main Boom & Tip Boom	16 ft
Tip Extension	4 ft
Tare Weight (empty)	23,000 lbs
Outrigger Span	11 ft 8 in
Dump Body Hoist Capacity	23 tons



## Recommended Chassis (minimum)

Body Style	Conventional Cab
Cab-to-Axle Dimension	168"
Front Axle Rating	12,000 lbs
Rear Axle Rating	21,000 lbs
GVW Rating	33,000 lbs
Frame	1,500,000 RBM
Engine	210 HP Diesel
Transmission	Automatic

\*Petersen Industries, Inc. reserves the right to change product design and specifications at any time without notice. There may be more specifications than listed herein. Consult your Petersen dealer for complete specifications.