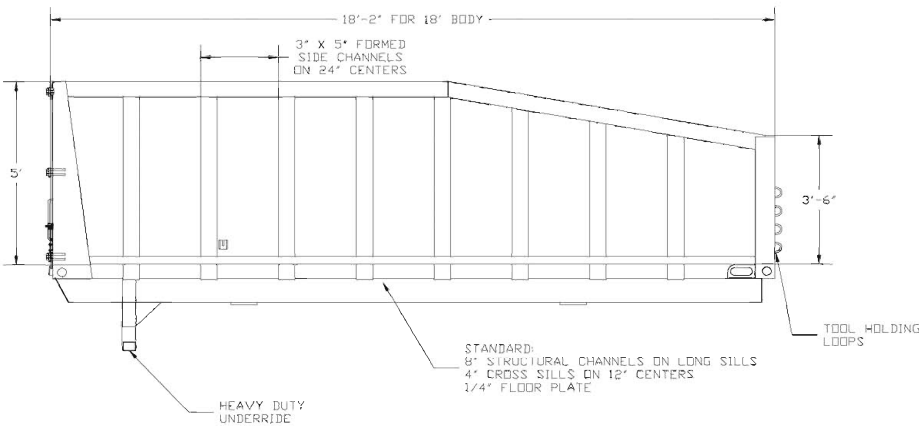


Specifications & Technical Data*

Popular Options

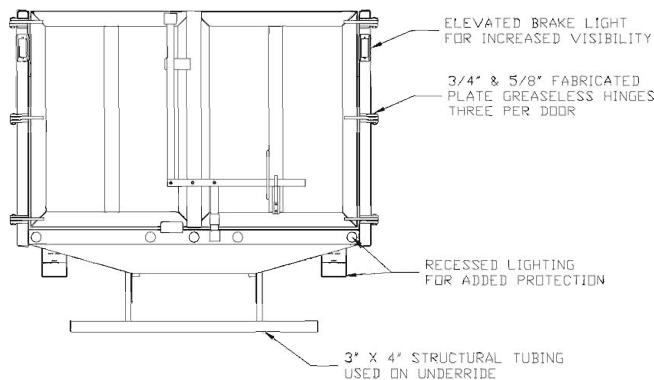
PI Self-Winding Load Cover
Rear Strobe – Mounted on Underride
Amber LED Flashers Mounted on Rear Corner Posts
1/4" Floor Plate
Reinforcement Plates between Floor & Sides
Continuous Welds for Side Posts
Tool Box – Inside Body
Tool Box – Mounted under Body
Dump Body Alarm
LED Lights
Single Door Option

Note: Consult sales representative for a complete listing of available options.



Available Sizes

Model	Length (ft)	Volume (cu yd)	Side Height (ft)	Length	Min GVWR
1820 TBH	18	20	4	168 C/A	33,000
1824 TBH	18	24	5	168 C/A	33,000
1828 TBH	18	28	6	168 C/A	33,000
2026 TBH	20	26	5	186 C/A	35,000
2030 TBH	20	30	6	186 C/A	37,000
2234 TBH	22	34	6	192 C/A	52,000
2240 TBH	22	40	7	192 C/A	56,000



Body Floor	1/4" single sheet steel plate, includes 3/16" reinforcement plates continuously welded between floor and sides
Cross Sills	4" structural channel on 12" centers
Long Sills	8" structural channel
Headboard	3/16" steel continuously welded to floor, welded loops on front to hold tools
Body Sides	3/16" steel continuously welded to floor
Side Posts	3" x 5" x 10 gauge formed channel on 24" centers, 1/4" steel plate formed rear corner posts
Barn Doors	Positive locking mechanism on top and bottom, 3 hinges per door with two 5/8" thick straps
Body Hoist	23 ton Venco 6620 dual cylinder hydraulic hoist -- 22 ft long body receives a Scott LL 3000 telescopic hoist.
Body Lights	Meets federal lightning standards, includes elevated brake lights for increased visibility
Paint	High grade primer and enamel finish

*Petersen Industries, Inc. reserves the right to change product design and specifications at any time without notice. There may be more specifications than listed herein. Consult your Petersen dealer for complete specifications.