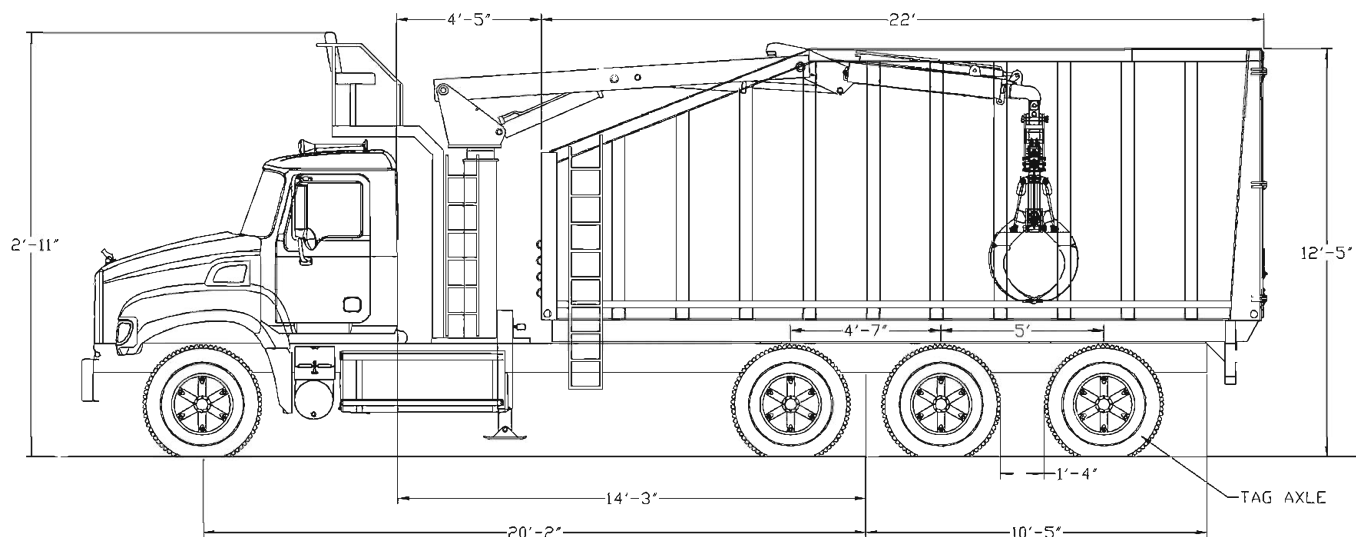


Specifications & Technical Data*



Body sizes available for DL-3: 2240 TBH, 2245 TBH

System Description

The Model DL-3 Lightning Loader®, engineered for high volume collection, consists of a grapple loader mounted on a chassis with a 40 or 45 cubic yard trash dump body.

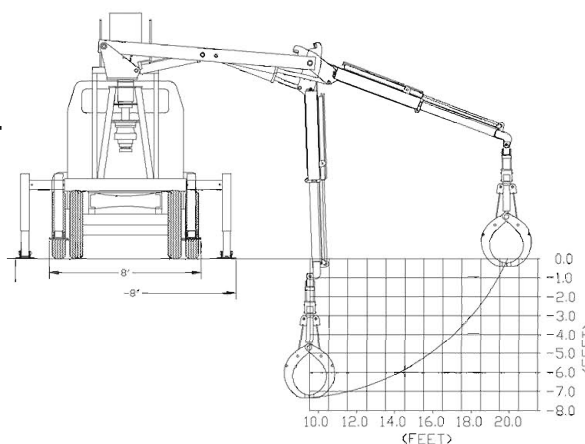
Control Options

Operator station is located on a stationary platform above the truck cab to provide good visibility of the loading area and inside the dump body. Two mechanical six-function joysticks are located on either side of the operator seat to control the loading operation. Outrigger controls are located to the left of the operator seat, dump body controls are located inside the chassis cab.

Lift Capacity

Radius	Lift Capacity
10 ft radius	7,100 lbs
16 ft radius	4,400 lbs
20 ft radius	3,200 lbs

Note: Weight of attachment not subtracted from above listed lifting capacities. Trash bucket weighs 1,000 lbs. Capacities shown do not exceed 85% vehicle tipping moment (outriggers engaged, loader on firm, level ground).



General Specifications

Reach	20 ft
Main Boom & Tip Boom	16 ft
Tip Extension	4 ft
Tare Weight (empty)	36,660 lbs
Outrigger Span	11 ft 8 in
Dump Body Hoist Capacity	35 tons
Overall Height	12 ft 6 in

Recommended Chassis (minimum)

Body Style	Conventional Cab
Cab-to-Trunnion	171"
Front Axle Rating	14,000 lbs
Rear Axle Rating	40,000 lbs
Tag Axle Rating	20,000 lbs
GVW Rating	74,000 lbs
Frame	2,500,000 RBM
Engine	340 HP Diesel
Transmission	Automatic

*Petersen Industries, Inc. reserves the right to change product design and specifications at any time without notice. There may be more specifications than listed herein. Consult your Petersen dealer for complete specifications.