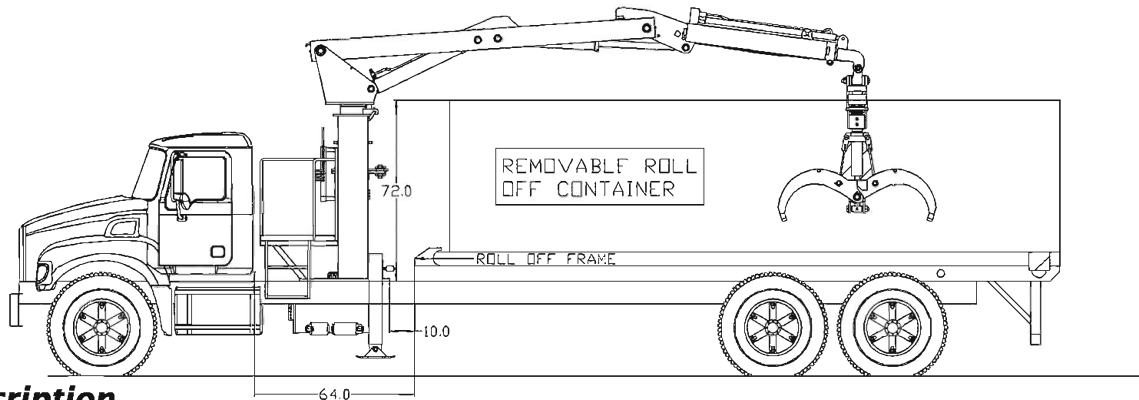


# Specifications & Technical Data\*

07/11

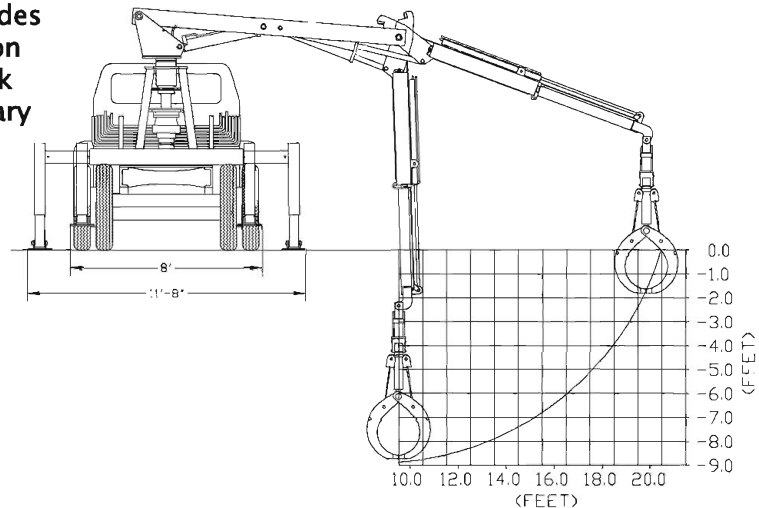


## System Description

The Model BL-3 Lightning Loader® is mounted to a chassis between the cab and the cable roll-off hoist, mounted on a long wheel base chassis. The loader operates from a fixed platform located behind the chassis cab.

## Control Options

Dual manual controls for outriggers and loader on both sides of the truck for accessibility and visibility come standard on this model. QUADSTICK® mechanically linked dual joystick controls are also an available option on the BL-3. Stationary top-mount control seat is also an option on this model.



## Lift Capacity

Radius	Load Capacity
10 ft radius	7,100 lbs
16 ft radius	4,400 lbs
20 ft radius	3,200 lbs

**Note:** Weight of attachment not subtracted from above listed lifting capacities. Trash bucket weighs 1,000 lbs. Capacities shown do not exceed 85% vehicle tipping moment (outriggers engaged, loader on firm, level ground).

## General Specifications

Reach	20 ft
Main Boom & Tip Boom	16 ft
Tip Extension	4 ft
Tare Weight (empty)	23,000 lbs
Outrigger Span	11 ft 8 in
Dump Body Hoist Capacity	23 tons

## Recommended Chassis (minimum)\*

Body Style	Conventional Cab
Clear Space: Cab to Roll-off Hoist	62"
GVW Rating	33,000 lbs
Frame	1,500,000 RBM

**\*Note:** Roll-off unit selected dictates chassis selection. Roll-off container headboard height maximum is 42".

\*Petersen Industries, Inc. reserves the right to change product design and specifications at any time without notice. There may be more specifications than listed herein. Consult your Petersen dealer for complete specifications.

1-800-930-LOAD (5623)  
www.petersenind.com



4000 SR 60 West  
Lake Wales, FL 33859